

Document revision history

Manual Revision	Description of Change	Date manual released	Made by
1.0	Initial release.	3. Oct 2016	JoL
1.1		30. Mar 2021	KR
1.2	Editorial changes	31. Mar 2021	JoL

Disclaimer: Every possible effort has been made to ensure the validity of this document. It represents the current view (as of the publishing date) on the functions and properties of the products mentioned in the document. SABIK OY is not responsible for possible typing errors. The pictures and drawings are for descriptive use only.



LTF 400

LED floodlight

Version: 1.2
Date: March 31st, 2021

Contents

1. INTRODUCTION.....	3
1.1. STANDARD FEATURES	3
1.2. PRODUCT CODES	3
1.3. LIGHT DISTRIBUTION.....	3
2. TECHNICAL DETAILS	4
2.1. MAIN TECHNICAL SPECIFICATION	4
2.2. POWER CONSUMPTION	4
2.3. DIMENSIONS AND MECHANICAL PROPERTIES	4
2.3.1. <i>Mechanical properties</i>	5
2.3.2. <i>Optional mounting brackets</i>	5
2.4. ELECTRICAL INSTALLATION	6
3. APPENDIX	7
3.1. LTF 400 ASSEMBLY	7
3.2. LTF 400 OPTIONAL MOUNTING BRACKET	8
3.3. LTF 400 OPTIONAL ADJUSTABLE MOUNTING BRACKET	9

1. Introduction

The LTF 400 is an LED based light tube. It has been developed to replace traditional floodlights with maintenance free LED technology of low power consumption. The light tubes combined with a solar power system can easily be installed to marine environment. There is no need for an underwater cable to difficult places. The light tubes can provide help on demanding sea routes. They have a totally sealed construction.

1.1. Standard Features

- Rugged aluminium housing for installation in marine environment
- Extremely low power consumption, suitable for solar and battery operation
- Integrated day light switch

1.2. Product Codes

Product	Order code
LTF 400 0.9W, 8°	LTF400-N-W-1
LTF 400 0.9W, 50°	LTF400-W-W-1
LTF 400 0.9W, 120°	LTF400-UW-W-1
LTF 400 3W, 8°	LTF400-N-W-3
LTF 400 3W, 50°	LTF400-W-W-3
LTF 400 3W, 120°	LTF400-UW-W-3
LTF 400 10W, 8°	LTF400-N-W-10
LTF 400 10W, 50°	LTF400-W-W-10
LTF 400 10W, 120°	LTF400-UW-W-10

1.3. Light distribution

The LTF 400 is a floodlight that is designed for illumination of structures that have an important navigational use. Three different beam width alternatives 8°, 50° or 120° makes it easy to find an optimal solution for different object sizes and shapes.

2. Technical Details

2.1. Main Technical Specification

Type	Description
Lens material	UV stabilized acrylic
Light source	Light Emitting Diodes (LEDs)
Weight	1,3kg
Temperature range	-40°C to +60°C
Supply voltage	12VDC or 24VDC
Power consumption	0.9W / 3.0W / 10W
Degree of protection	Equivalent to IP65

2.2. Power Consumption

The luminaire is designed for solar powered energy systems. A high overall efficiency is maintained over a wide range of supply voltages and daytime idle consumption is minimized. The minimum operational voltage (low voltage cut-off) is by default set to 10.0V. It can be adjusted at the factory to suite different battery technologies.

The integrated twilight switch is set to 15 lux / 60 lux.

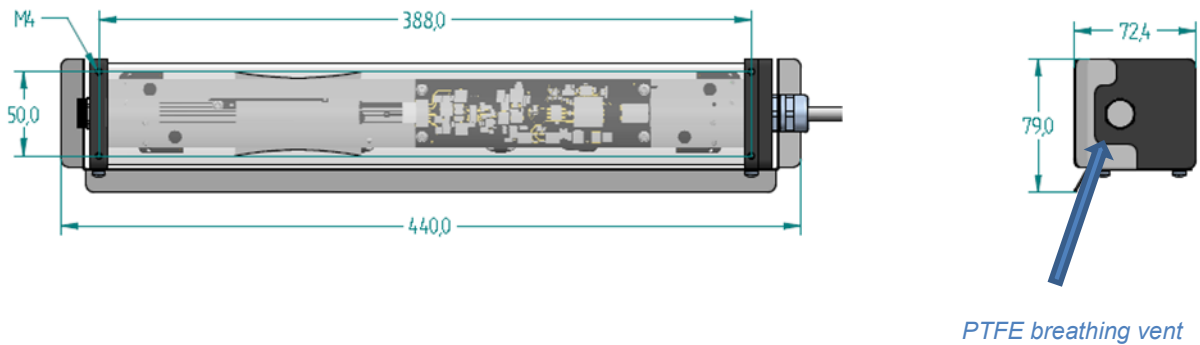
Specification	Value
Input voltage range	10VDC to 30VDC
Max power consumption	0.9 W / 3.0W
Daytime idle consumption	< 0.6 mA @ 12 VDC

2.3. Dimensions and Mechanical Properties

Specification	Value
Weight	1.3 kg
Material	Aluminium, stainless steel A4 and UV stabilized acrylic tube
Total height	79 mm
Total width	440 mm
Total depth	72.4 mm
Mounting base	4pcs M4 bolts c.t.c 50mm x 388mm

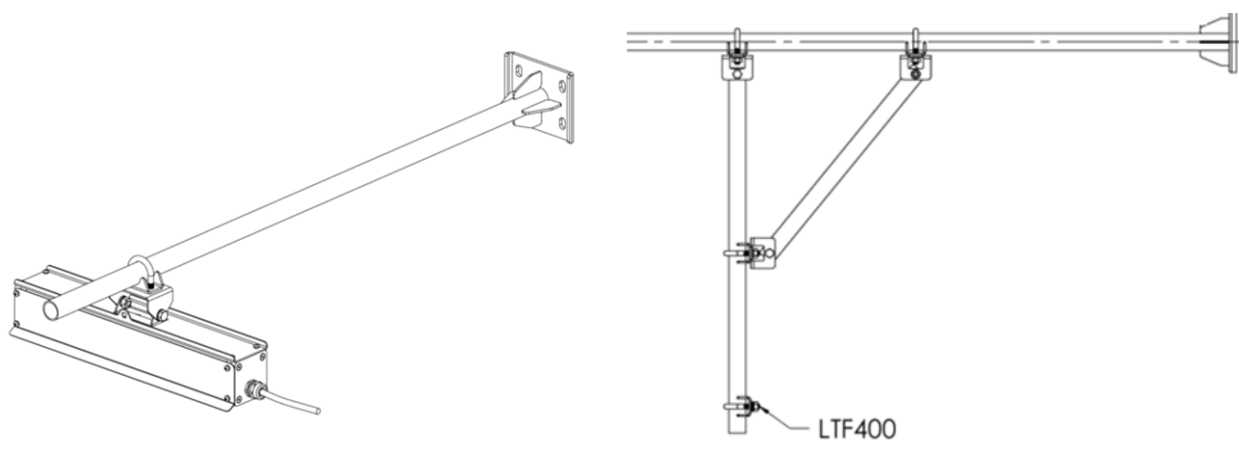
2.3.1. Mechanical properties

The luminaire is pressure tested at factory before shipment. “Breathing” is arranged through a PTFE membrane mounted on the side of the luminaire, enabling equalization of pressure without the risk of letting the moisture into the housing.



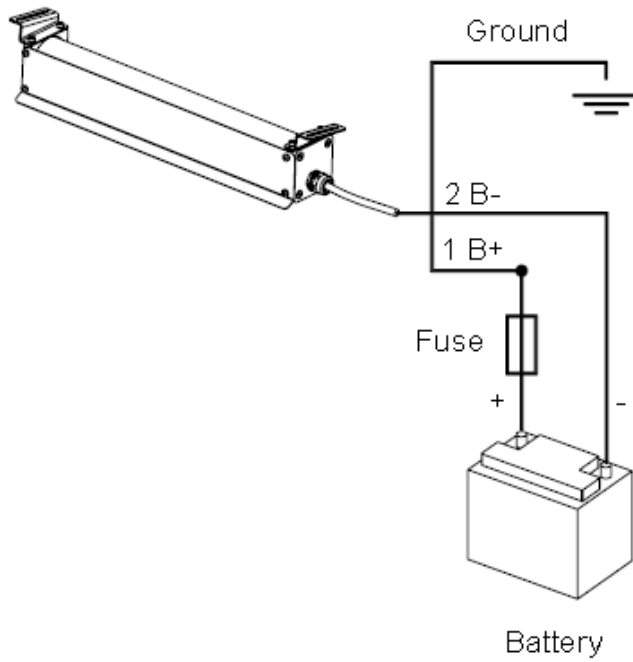
2.3.2. Optional mounting brackets

Two different mounting brackets are available as optional accessories. One that allows for adjustment of distance and inclination angle and another when the adjustment is limited to distance and tilt. The mechanical drawings and part numbers are available in the Appendix at the end of the manual.



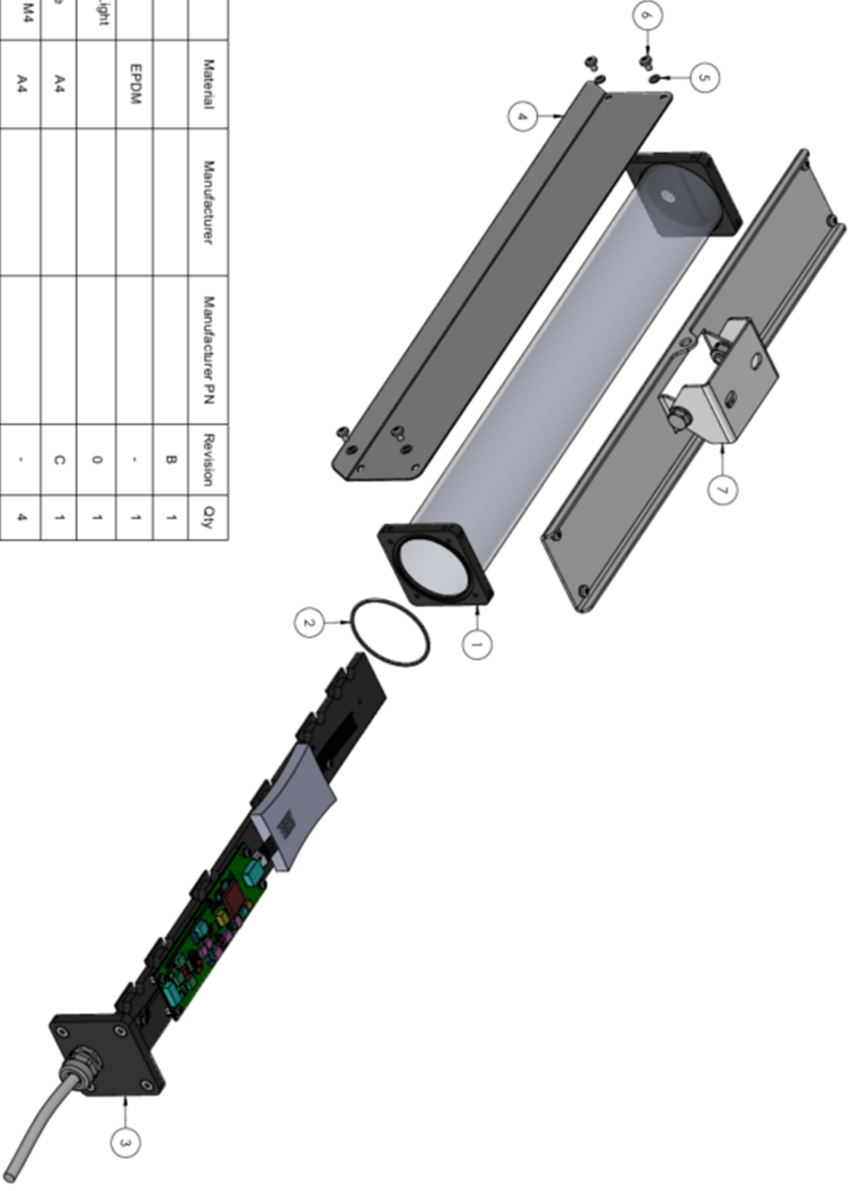
2.4. Electrical installation

Wire	Value
1	Battery positive (10VDC to 30VDC)
2	Battery negative (0 VDC)
PE (Green / Yellow)	Ground wire



3. APPENDIX

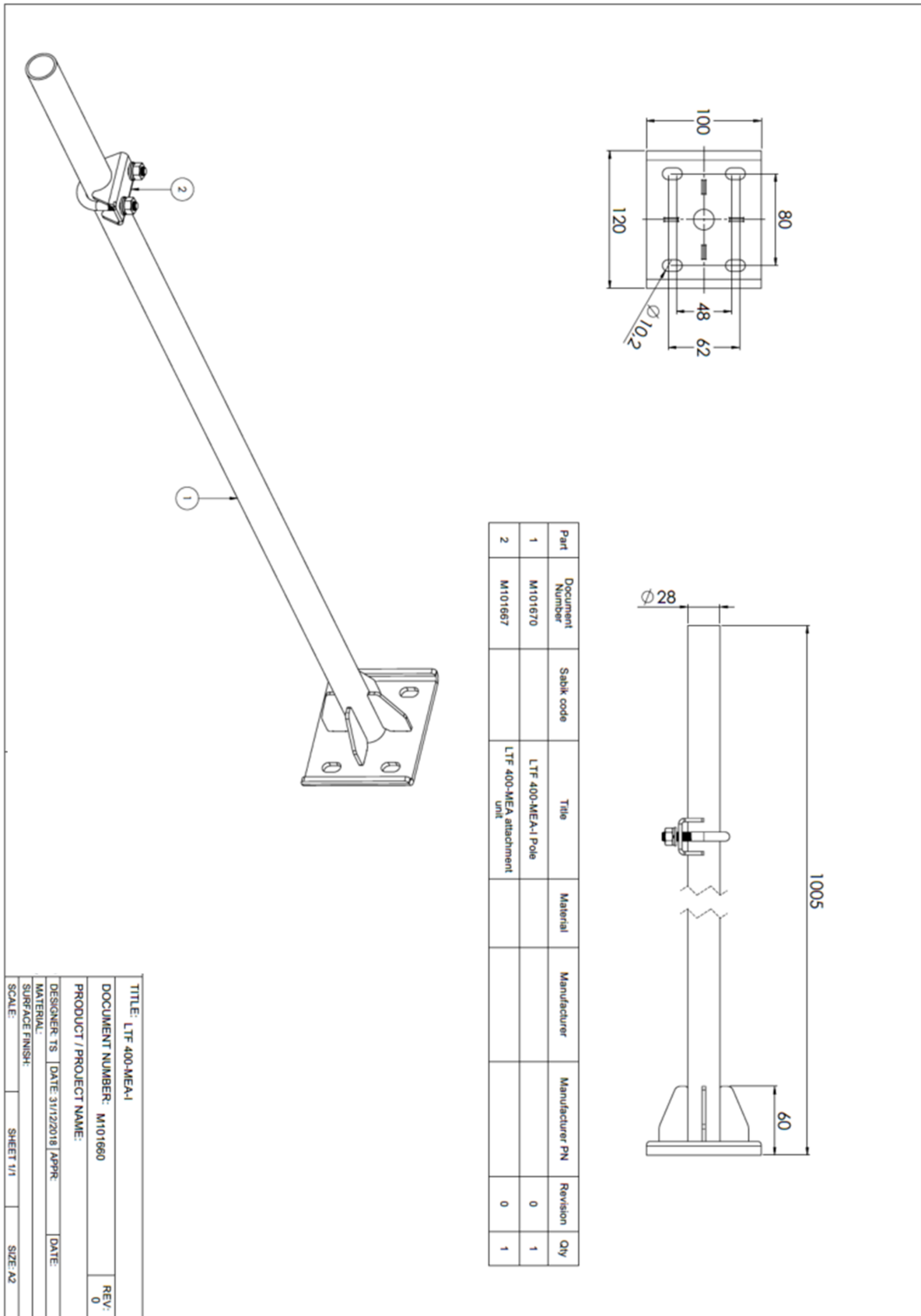
3.1. LTF 400 Assembly



Part	Document Number	Sabik code	Title	Material	Manufacturer	Manufacturer PN	Revision	Qty
1	M001497		Light tube				B	1
2	M100456		O-ring 5x2	EPDM			-	1
3	M101666		LTF400 Floodlight Light unit				0	1
4	M001418		LT Dirigens plate	A4			C	1
5	M100289	634301	Spring lock washer M4 DIN127	A4			-	4
6	M100458		Cross recessed head screw M4x6 DIN7985	A4			-	4
7	M101632		LTF400Wx Attachment unit				A	1

TITLE: LTF400 Floodlight	
DOCUMENT NUMBER: M101646	REV: 0
PRODUCT / PROJECT NAME: LTF400	
DESIGNER TS	DATE: 2012/2018
APPR:	DATE:
MATERIAL:	
SURFACE FINISH:	
SCALE: SHEET 1/1	SIZE: A2

3.2. LTF 400 optional mounting bracket



3.3. LTF 400 optional adjustable mounting bracket

