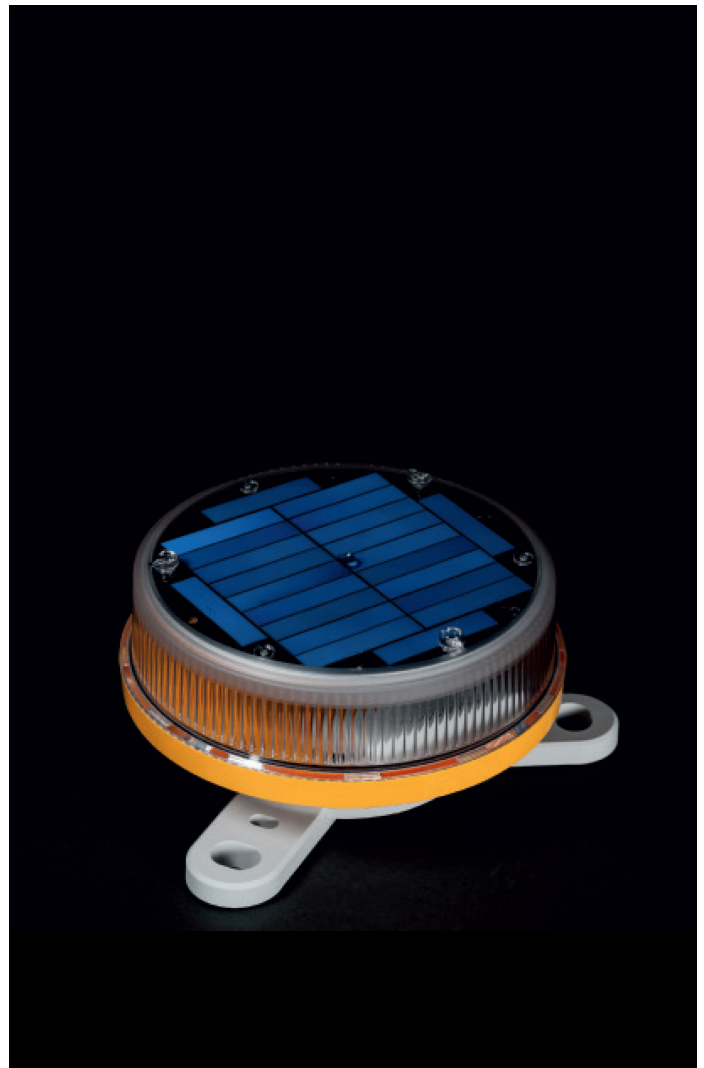


M660

**Short range self-contained lantern
for buoys and minor beacons
Typical range 2 to 3 NM**

The M660 is a high-performance, longlife, easy-to-use and cost-effective self-contained solar LED marine lantern. The M660 features a Li-ion battery pack that extends the service life of the lantern up to eight years. M660 has four different mounting options and can be controlled with Bluetooth® Control. To view performance in your installation location, visit Marine Selector Tool in www.sabik-marine.com ->Marine Selector Tool

- **Standard IALA colours**
red, green, white, yellow, blue
- **Ventilated battery compartment**
- **Adjustable intensity and range**
- **Vertical divergence > 8° (FWHM)**
- **High-efficiency solar cells. Maximum Power Point Tracking (MPPT) for optimal energy collection**
- **Premium grade UV resistant, polycarbonate/poly siloxane co-polymer body and lens material**
- **IP 68 rated. O-ring sealing with waterproof vent**
- **Li-ion battery, optional dual pack**
- **Programmable with Bluetooth® Control and IR-Programmer**
- **Optional ON/OFF switch, external charger and charging port**
- **Built-in calendar function for automatic deactivation during off-season months**



Performance

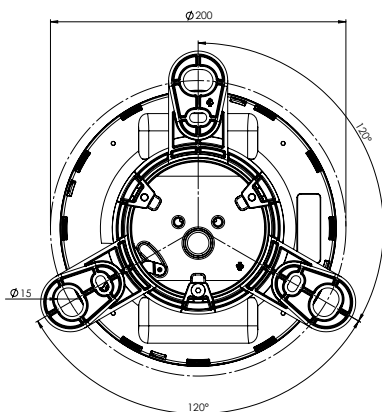
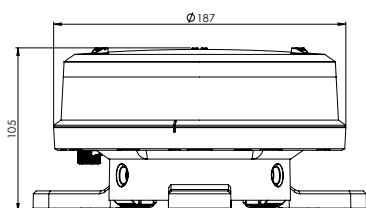
Product	Vertical divergence @ 50% peak intensity	Peak intensity red	Peak intensity green	Peak intensity yellow	Peak intensity blue	Peak intensity white
M660	8°	40 cd	42 cd	52 cd	18 cd	71 cd

Electrical specification

Solar modules	High-efficiency cells; MPPT; 2.5 W
Battery	Li-ion; 3.6 W / 6 Ah capacity optional 2 6-Ah-battery packs

Main technical specification

Lens visual/Mechanical diameter	177 mm
Lens material	UV stabilized polycarbonate
Light source	High power light emitting diode (LED)
Degree of ingress protection	IP68
Installation	3 x M6 on 150 mm 3 x M12 on 200 mm



Product code

Code	Note
M660c-opt	
c	colour (R, G, Y, B or W)
opt	Option (S, C or 2B)

Options

S	On/off switch
C	Charge port
2B	Dual battery

Product code example: M660R-2BC

- M660R is Sabik code for M660 with in red
- 2BC is a selection of dual battery and charge port

Accessories

69934	660 Bird Deterrent - Single
79848	Spare adapter (incl.screws)
79273	Optional switch
69885	660 International wall charger assembly
69899	IR (Infrared) programmer
38334	660 Standard bolt kit

Dimensions

Product	Product dimensions (DxH) mm	Product weight kg	Packing dimensions (DxWxH) mm	Gross weight kg	Product dimensions (DxH) inch	Product weight lb	Packing dimensions (DxWxH) inch	Gross weight lb
M660	200x105	0.8	279x279x127	11	7.87x4.13	1.76	11x11x5	5