



LO200M

Medium Intensity Range Light
14,8 NM by night, 1,5 NM by day

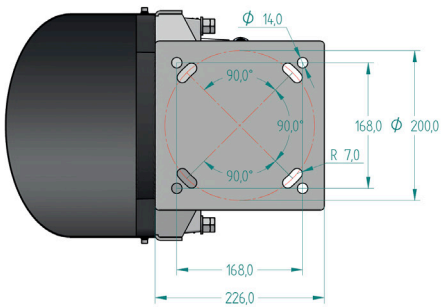
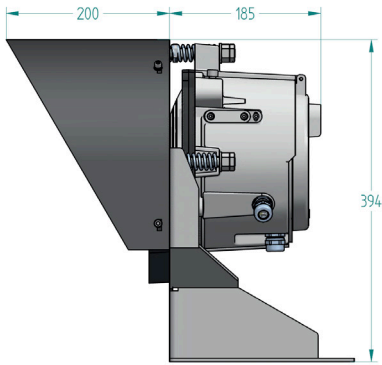
The LO200M signal is designed for applications requiring medium and long range directional light, such as range lights and port entry signals.

- Equipped with a high intensity power LED and especially designed optics
- Robust aluminium IP67 housing
- Range 22,4 NM by night and 1,7 NM by day @ 0,85T
- Standard IALA colours red, green, white and yellow
- Extremely low power consumption, suitable for solar and battery operation
- Integrated flasher with 16 A solar panel charger
- Adjustable intensity and range
- Programmable with Sabik standard IR programming devices
- Optional integrated GPS synchronization
- Optional integrated GSM remote monitoring
- Equipped with Bluetooth programming



Performance

Product	Horizontal divergence @ 50% peak intensity	Vertical divergence @ 50% peak intensity, white	Peak intensity red	Peak intensity green	Peak intensity yellow	Peak intensity white	Power consumption @ peak intensity
LO200M	6°	3°	7 000 cd	7 000 cd	7 000 cd	13 000 cd	4 W



Product code example: LO200M-R-4E

- LO200M-R is Sabik code for LO200M in red
- 4E is a selection of option 4 Intergrated GPS sync

Main technical specification

Lens visual/Mechanical diameter	203 mm (8")
Lens material	UV stabilized polycarbonate
Light source	Light Emitting Diode (LED)
Unit lifetime	Up to 10 years
Temperature range	-40° to +60°C / -40° to +140°F
Supply voltage	9 - 32 VDC
Ingress protection	IP67
Cable length	2m / 6.5 ft

Order Overview LO200M

Product code

Code	Note
LO200M-c-OPT	
c	colour (R, G, Y or W)
OPT	Option (4E, 9E, 10, 11, 12 or 13)

Option matrix

OPT 4E: GPS sync	Integrated GPS sync including external GPS antenna
OPT 9E: LightGuard GSM + GPS	Integrated GSM based monitoring including external GSM/GPS antennas
OPT 10: LightGuard GSM	Integrated GSM based monitoring including GSM antenna
OPT 11: Control card	Control card for secondary battery
OPT 12: Aux card with I/O	Aux card including I/O ports
OPT 13: Aux card with RS485 and I/O	Aux card including RS and I/O port

Dimensions

Product	Product dimensions (LxWxH) mm	Product weight kg	Packing dimensions (DxWxH) mm	Gross weight kg	Product dimensions (LxWxH) inch	Product weight lb	Packing dimensions (DxWxH) inch	Gross weight lb
LO200M	466x307x397	13	330x270x420	13.5	18.34x12.1x15.6	28.6	12.99x10.6x16.5	29.7