

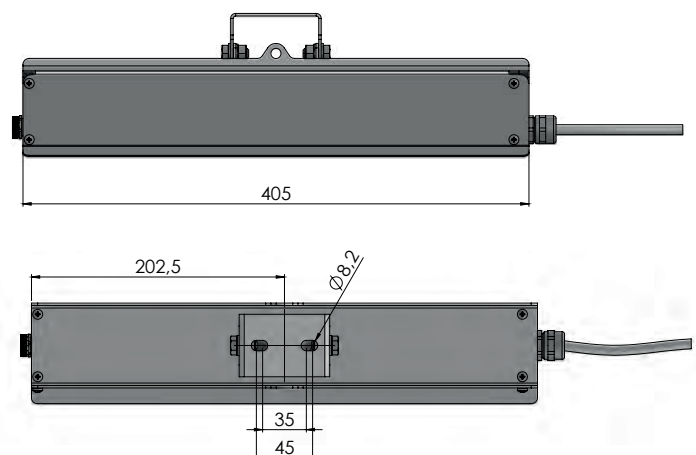
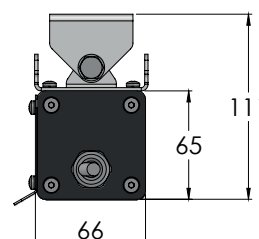
LTF 400

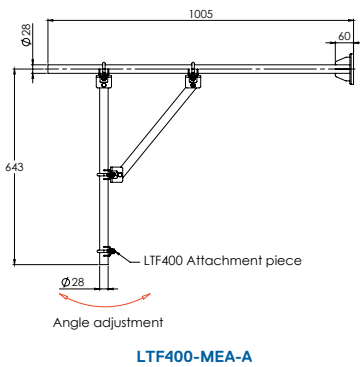
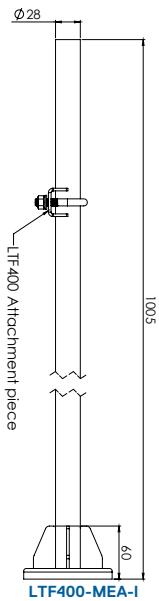
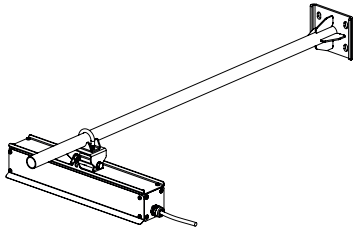
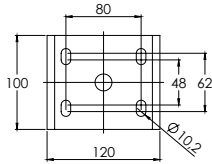
Floodlight

Sabik LTF 400 is a floodlight for illuminating fixed structures and auxiliary signs. Designed to excel in demanding marine environment, it is also a robust choice for inland installations.

LTF 400 comes in different opening angles and brightness options to match your illuminating and power consumption requirements. The integrated high efficiency controller and maintenance-free LED-based design make this product ideal for remote and solar-powered installation.

- Very low power consumption ideal for solar-powered sites
- Rugged, sealed, maintenance-free construction
- Automatic day/night switching
- Beam profile optimized for even distribution on luminated structures





Optical specification

Light source	High Power Light Emitting Diode (LED)
Color	White
Luminance	120 lm / W
Divergence	8° / 50° FWHM (Narrow, Wide)

Main technical specification

Lens	UV stabilized acrylic
Housing	Aluminium, stainless steel A4, UV stabilized acrylic
Designed service life	More than 10 years
Temperature range	-40° to +60°C / -40° to +140°F
Voltage	12 VDC (10-30 VDC)
Solar charger	No
Degree of protection	IP65
Reverse polarity protection	Yes
Daytime idle consumption	< 0.6 mA @ 12 VDC
Battery cut off voltage	10 VDC
Cable length	10 m / 32.8 ft

Other

Twilight switch	Yes
Water tight equalizing valve	Yes
Mounting	2 pcs M8, Additional mounting arm option

Accessories

MEA-I	mounting extension arm, fixed / straight
MEA-A	mounting extension arm, adjustable / hinged

Order Overview LTF 400

Product code

LTF400 0.9W	LTF400 3W	LTF400 10W	Beam opening
LTF400-W08D-1	LTF400-W08D-3	LTF400-W08D-10	8°
LTF400-W50D-1	LTF400-W50D-3	LTF400-W50D-10	50°

Dimensions

Product	Product dimensions (DxWxH) mm	Product weight kg	Packing dimensions (DxWxH) mm	Gross weight kg	Product dimensions (DxWxH) inch	Product weight lb	Packing dimensions (DxWxH) inch	Gross weight lb
LTF400	72x440x79	1.3	300x440x200	3.2	2.8x17.3x3.1	2.9	11.8x17.3x7.9	7