



## VRL91

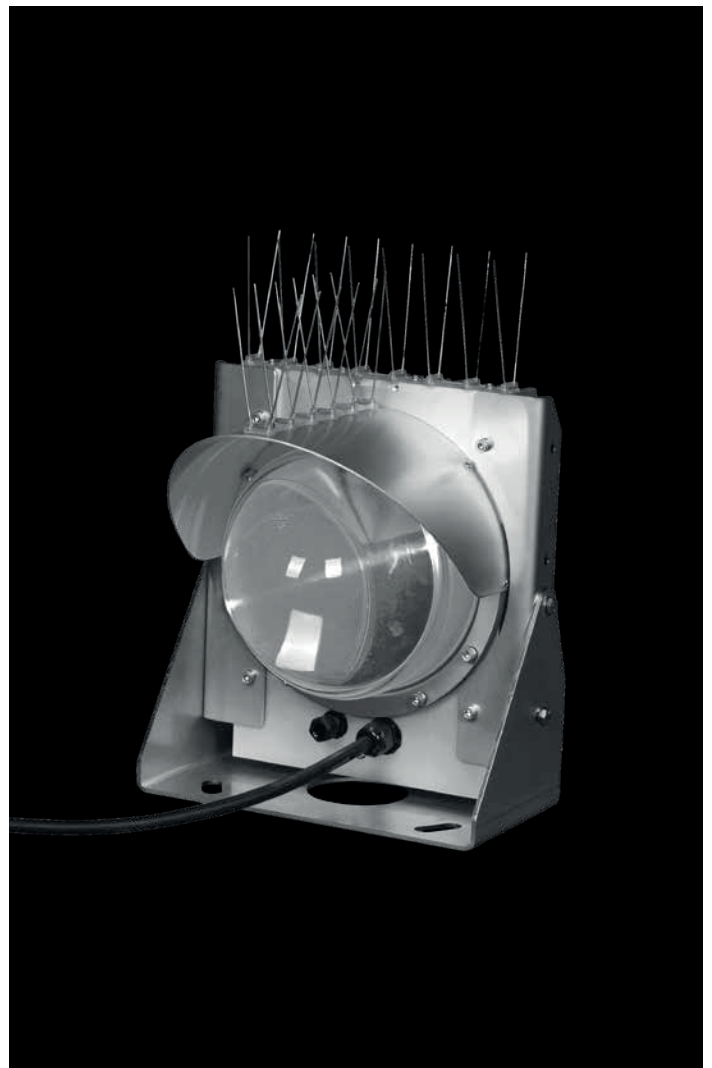
**23 NM by night, 5,4 NM by day**

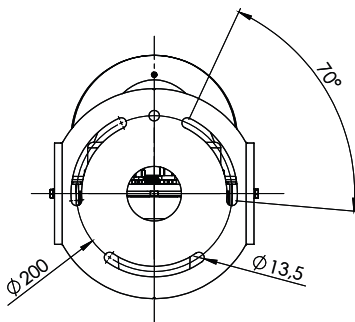
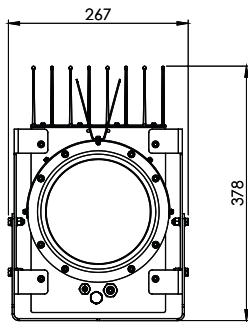
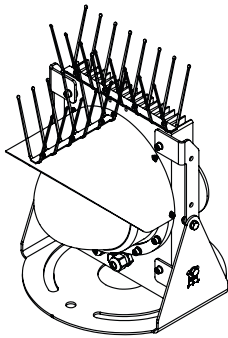
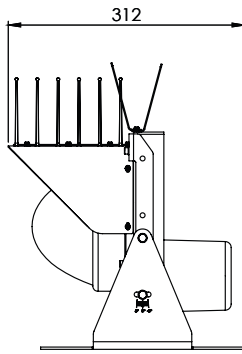
The VRL91 high power LED range light forms part of the Vega LED marine beacon family and is intended for applications requiring very high intensity.

A single white VRL91 lens using a single LED produces an intensity of up to 403000 cd, which provides a range of 23 NM at 0.74T with no background light.

Programming features (with IR remote programmer):

- Automatic Schmidt-Clausen intensity correction for short flashes
- Multiple effective intensity settings for both day and night operation
- Day/night transition level settings
- Fully programmable flash characters
- Range 38,2 NM by night and 6,9 NM by day @0.85T
- One programmable custom character
- Synchronisation control including master/slave options and sync delay (optional)
- Supply voltage monitoring
- Programmable low voltage cut out
- RS-232 data port compatible (optional)
- Optional security code





**Optical performance**

Maximum peak intensity

3°	136 000 cd	276 000 cd	500 000 cd
----	------------	------------	------------

**Optical specification**

Light source	High Power Light Emitting Diode (LED)
Horizontal divergence	3°
Vertical divergence	3°

**Main technical specification**

Nominal Range	Up to 23 NM
Lens	Machined cast acrylic
Body	Anodised marine grade aluminium
Weight	7.5 kg
Flash character	246 standard characters plus 1 custom character
Temperature range	-30° to +50°C / -22° to +122°F
Voltage	12 VDC / 24 VDC (10 - 30 VDC)
Degree of protection	IP67
Cable length	2 m / 6 m

**Order Overview VRL91**

**Product code**

Code	Note
VRL91-c-OPT	
c	Color (R, G, W)
OPT	Option

**Option matrix**

GS	Internal GPS as factory option
----	--------------------------------