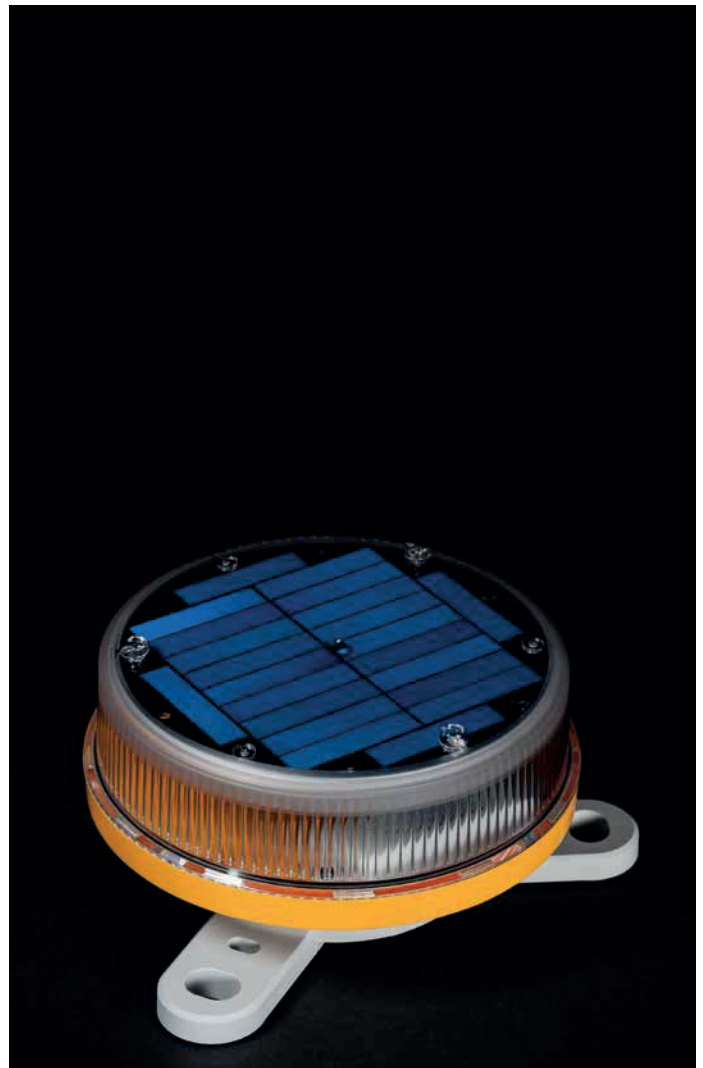


M660

Self-contained LED lantern for buoys and minor beacons, up to 4 NM Range

The M660 is a high-performance, longlife, easy-to-use and cost-effective self-contained solar LED marine lantern. The M660 features a Li-ion battery pack that extends the service life of the lantern up to eight years. M660 has four different mounting options and can be controlled with Bluetooth® Control. To view performance in your installation location, visit Marine Selector Tool in www.sabik-marine.com ->Marine Selector Tool

- Standard IALA colours
red, green, white, yellow, blue
- Ventilated battery compartment
- Adjustable intensity and range
- Vertical divergence > 8° (FWHM)
- High-efficiency solar cells. Maximum Power Point Tracking (MPPT) for optimal energy collection
- Premium grade UV resistant, polycarbonate/poly siloxane co-polymer body and lens material
- IP 68 rated. O-ring sealing with waterproof vent
- Li-ion battery, optional dual pack
- Programmable with Bluetooth® Control and IR-Programmer
- Optional ON/OFF switch, external charger and charging port
- Built-in calendar function for automatic deactivation during off-season months



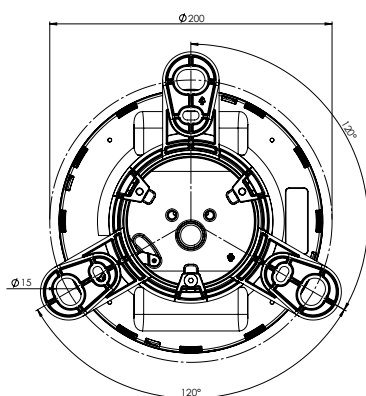
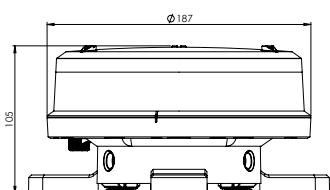
Optical performance

Maximum fixed intensity

40 cd	42 cd	71 cd	52 cd	18 cd
-------	-------	-------	-------	-------

Main Technical Specification

Lens visual/Mechanical diameter	177 mm
Lens material	UV stabilized Polycarbonate
Light source	High Power Light Emitting Diode (LED)
Vertical divergence	>8° (FWHM)
Solar module	High efficiency cells; MPPT; 2.5 W
Battery	Li-ion; 3.6 V / 6 Ah capacity; can be ordered with 1 or 2 battery packs
Degree of ingress protection	IP 68
Weight	0.8 kg
Overall height (excl. bird deterrents)	105 mm
Installation (adapter)	3 x M6 on 150mm and 3 x M12 on 200mm
Installation (pole mount)	70 or 72 diameter



Order Overview M660

Product codes

Colour	M660	M660 switched	M660 dual battery	M660 charge port
red	M660R	M660R-S	M660R-2B	M660R-C
green	M660G	M660G-S	M660G-2B	M660G-C
white	M660W	M660W-S	M660W-2B	M660W-C
yellow	M660Y	M660Y-S	M660Y-2B	M660Y-C
blue	M660B	M660B-S	M660B-2B	M660B-C

Option matrix

M660	
M660 Switched	ON/OFF switch
M660 Dual Battery	Dual Battery Pack
M660 Charge Port	With Charge Port

Accessories

69934	660 Bird Deterrent – Single
79848	Spare adapter (incl. screws)
79273	Optional switch
69885	660 International Wall Charger Assembly
69899	IR (Infrared) Programmer
38334	660 Standard Bolt Kit

Product code example: M660RSC2B

- **M660R** is Sabik/Carmanah code for M660 in red
- with a selection of switched with charge port and dual battery